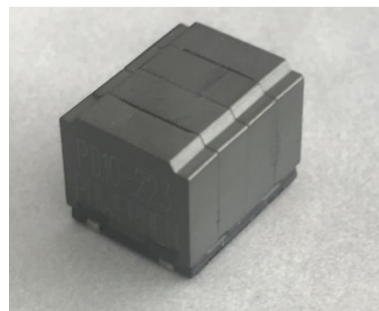


SMD POWER INDUCTORS FOR DIGITAL AMPLIFIER 贴片数字功放电感

■ PD10

Features 特点

- Space reduction is realized by 2 in 1 construction.
二合一结构缩小空间
- The optimal design realizes high quality sound and low distortion.
高音质、低失真最佳设计
- Compact size using flat wire, and SMD type.
扁平线小尺寸封装, 贴片类型
- Low radiation noise by magnetically shielded construction
闭合磁路封装, 低辐射
- High current, Low resistance.
大电流, 低电阻
- Operating temperature : -40°C~+125°C.
工作温度: -40°C~+125°C



Applications 应用

- Suitable as choke for digital amp. Car audio, LCD and PDP TV, 5.1ch Home theater, etc.
适用于数字功放扼流。如汽车音响, LCD 电视和 PDP 电视, 5.1 声道家庭影院等

Electrical characteristics 电气特性

Part number 料号	Inductance 电感量 μH±10%	DCR 直流电阻 mΩ		Isat 饱和电流 A (typical)			Irms 温升电流 A (Max.)	
		Max	typ	10% drop	20% drop	30% drop	20°C rise	40°C rise
PD10-332KL	3.3	11	9.0	12.9	13.75	14	5	6.2
PD10-822KL	8.2	16	13.5	7.9	8.8	9.1	4.8	6.1
PD10-103KL	10	18	15	7.0	7.3	7.5	4.5	6
PD10H-103KL	10	24	20	10.0	10.2	10.5	4	5.5
PD10-123KL	12	20	16.5	5.7	6.1	6.5	3.8	5.2
PD10-153KL	15	23	18.9	5.2	5.7	6.0	3.5	5
PD10-223KL	22	38	31.5	3.9	4.4	4.8	3	3.8

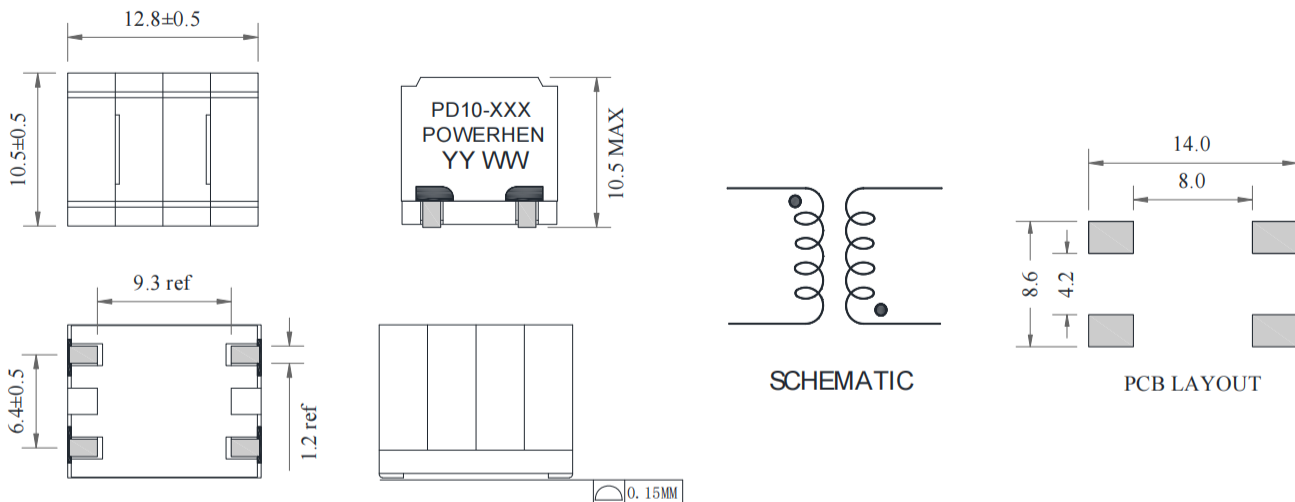
Remark

- ① Inductance is measured with a LCR meter Agilent 4284A or equivalent.
Test frequency at 100kHz
- ② DC resistance is measured with Keithley 580 Milliohm Meter, or equivalent.
Reference ambient temperature 25°C
- ③ DC current at 25°C that causes the specified Inductance drop from its value without current.
- ④ Current that causes the specified temperature rise from 25°C ambient. This information is for reference only and does not represent absolute maximum ratings.
- ⑤ Electrical specifications at 25°C

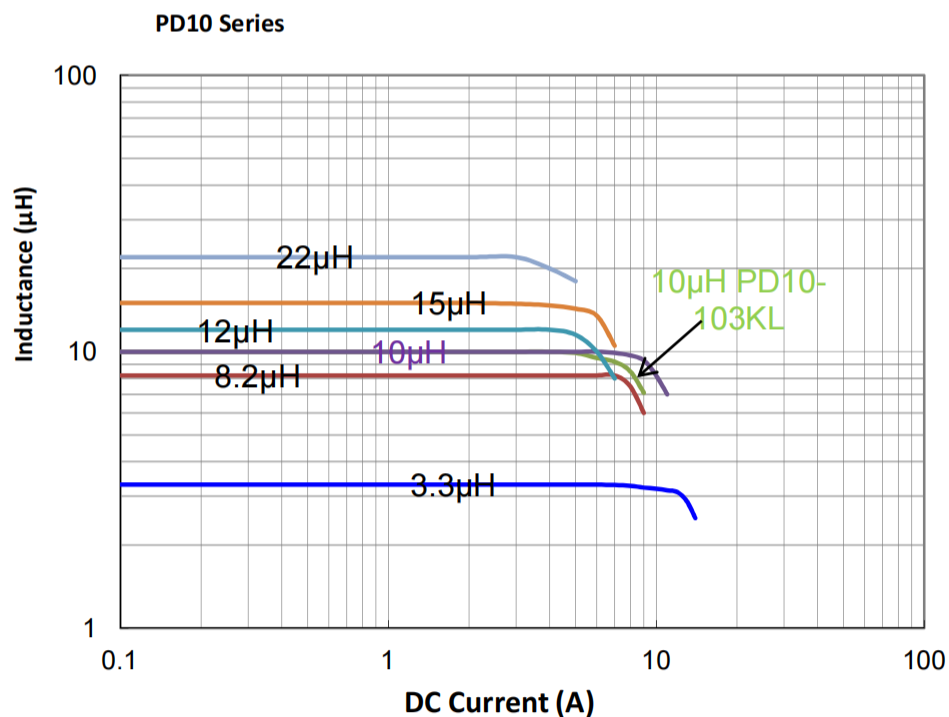
备注

- ① 电感量测试采用 Agilent 4284A 数字电桥或同等仪器; 测试频率 100KHz
- ② 直流电阻测试采用 Keithley 580 毫欧表或同等仪器; 环境温度 25° C
- ③ 直流电流在 25° C, 加载导致指定电感从没有电流的值下降。
- ④ 导致指定温度从 25° C 环境温度上升的电流。此信息仅供参考, 不代表绝对最大额定值。
- ⑤ 25° C 时的电气规格

Dimensions 结构尺寸

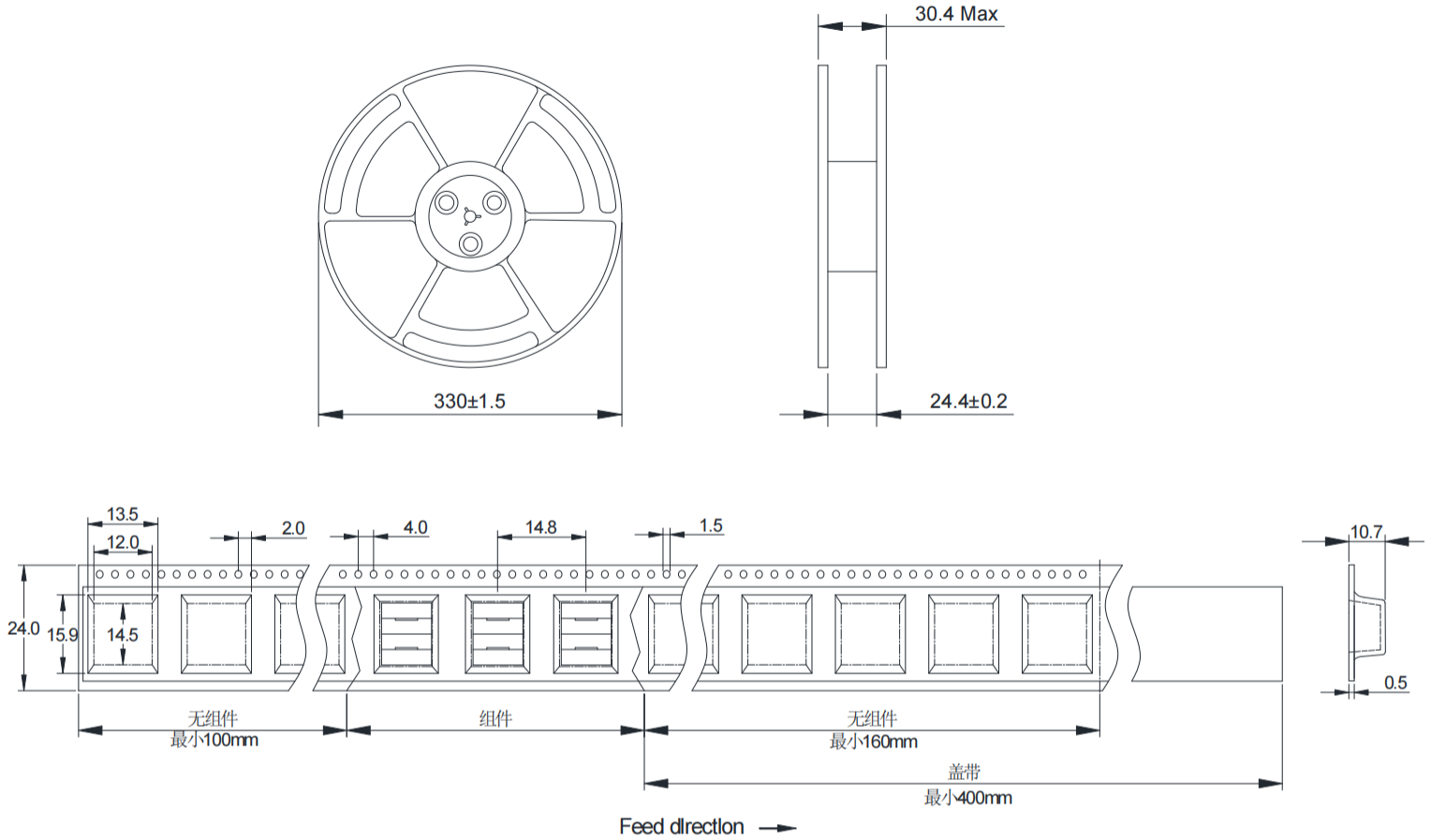


Electrical Characteristic Curve 电气特性曲线



■ Packaging Specification - Tape and Reel: [mm]

包装规格 - 卷带包装: [mm]



Weight 重量: 4.68~5.11g/PCS

Packaging 包装数量: 300 PCS/Reel