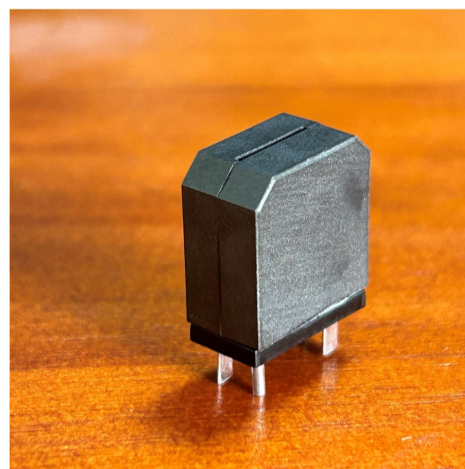


■ PD14ACM Series

Features 特点

- The optimal design realizes high quality sound and low distortion.
高音质、低失真最佳设计
- Compact size using flat wire.
扁平线小尺寸封装
- Small compact, and DIP type.
小体积，直插类型
- Low radiation noise by magnetically shielded construction
闭合磁路封装，低辐射
- High current, Low resistance.
大电流，低电阻
- Operating temperature : -40°C~+125°C.
工作温度：-40°C~+125°C



Applications 应用

- Suitable as choke for digital amp. Car audio, LCD and PDP TV, 5.1ch Home theater, etc.
适用于数字功放扼流。如汽车音响，LCD 电视和 PDP 电视，5.1 声道家庭影院等

Electrical characteristics 电气特性

Part number 料号	Inductance ① 电感量 μH ±10%	DCR ② 直流电阻 mΩ		SRF ③ 自谐频率 MHz			Isat ④ 直流饱和电流 A typical			Irms ⑤ 温升电流 A typical	
		typ	max.	typical	10% drop	20% drop	30% drop	20°C rise	40°C rise		
PD14ACM-103KL	10	9.7	11	10	9.65	10.5	10.9	5.8	7.5		

Remark

- ① Inductance is measured with a LCR meter Agilent 4284A or equivalent.
Test frequency at 100kHz
- ② DC resistance is measured with Keithley 580 Milliohm Meter, or equivalent.
Reference ambient temperature 25°C
- ③ SRF measured using an Agilent 4395A network analyzer and an Agilent 16193A test fixture.
- ④ DC current at 25°C that causes the specified Inductance drop from its value without current.
- ⑤ Current that causes the specified temperature rise from 25°C ambient. This information is for reference only and does not represent absolute maximum ratings.
- ⑥ Electrical specifications at 25°C

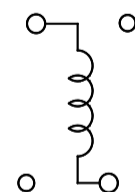
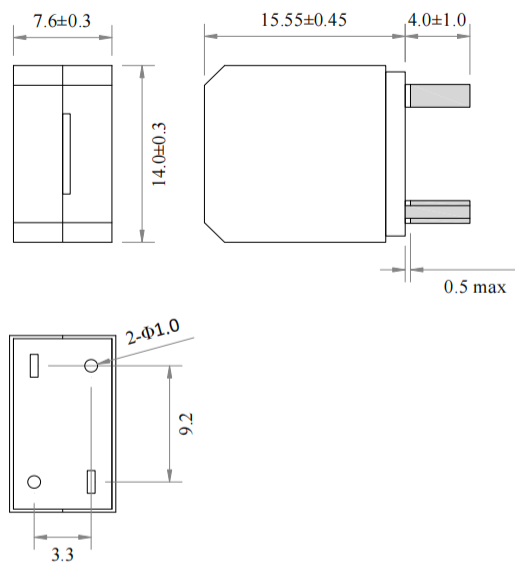
备注

- ① 电感量测试采用 Agilent 4284A 数字电桥或同等仪器；
测试频率 100KHz
- ② 直流电阻测试采用 Keithley 580 毫欧表或同等仪器；
环境温度 25° C
- ③ SRF 使用 Agilent 4395A 网络分析仪和 Agilent 16193A 测试夹具测量。
- ④ 直流电流在 25° C，加载导致指定电感从没有电流的值下降。
- ⑤ 导致指定温度从 25° C 环境温度上升的电流。此信息仅供参考，不代表绝对最大额定值。
- ⑥ 25° C 时的电气规格

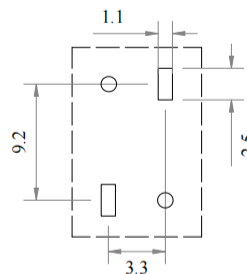
ShenZhen Powerhen Electronic Co.,Ltd

Addr: Floor 3, Building 2, Shenliang Automotive Electronic Industrial Park, Guanlan Town, Shenzhen
Tel: 0755-23570708 Fax: 0755-28088656 E-Mail: sales@powerhen.com

Dimensions 结构尺寸

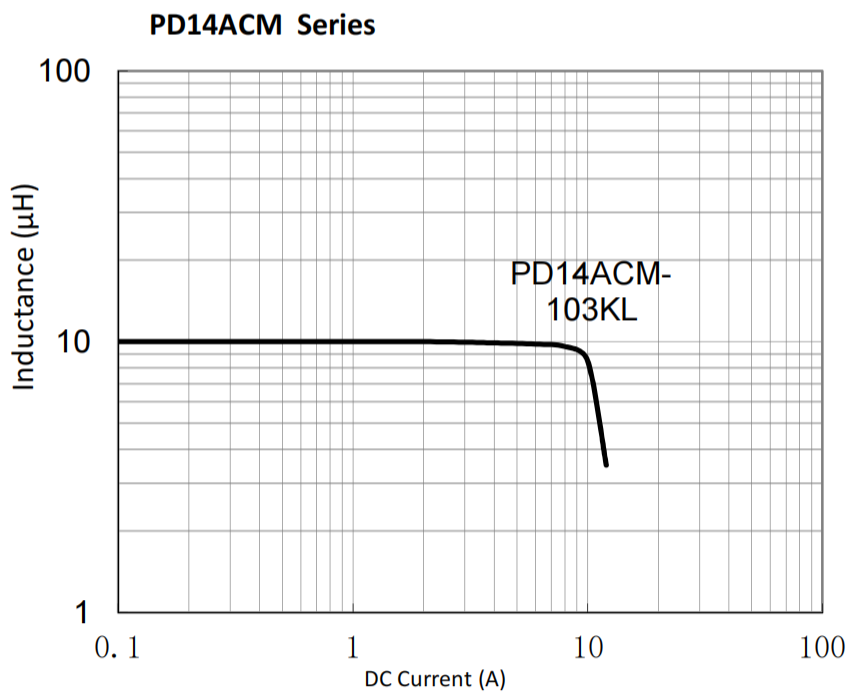


SCHEMATIC



PCB LAYOUT

Electrical Characteristic Curve 电气特性曲线

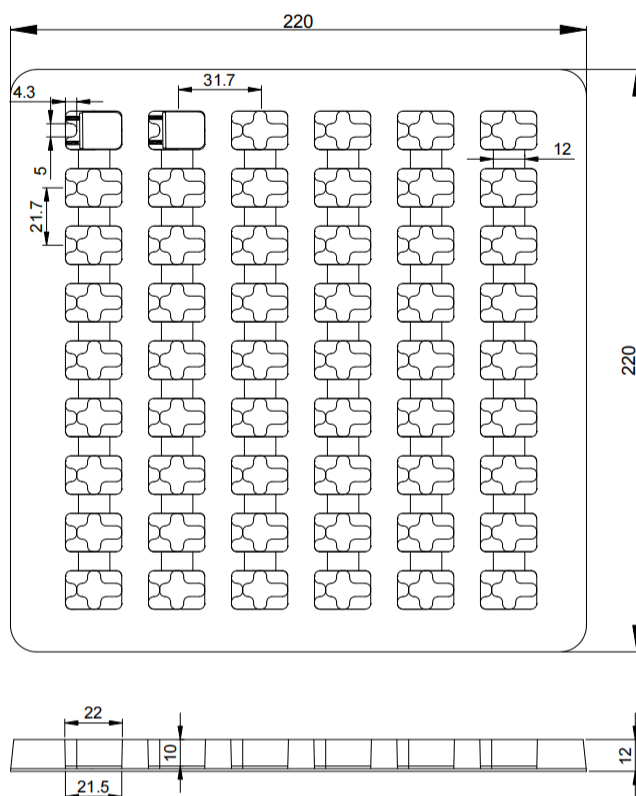


ShenZhen Powerhen Electronic Co.,Ltd

Addr: Floor 3, Building 2, Shenliang Automotive Electronic Industrial Park, Guanlan Town, Shenzhen
 Tel: 0755-23570708 Fax: 0755-28088656 E-Mail: sales@powerhen.com

■ Packaging Specification - tray: [mm]

包装规格 - 托盘包装: [mm]



Weight 重量: 6.89g/PCS
 Packaging 包装数量: 54PCS/盘