

CT042

CURRENT SENSE TRANSFORMERS

电流互感器

Features

- For use between 11 kHz to 1 MHz.
适用于 11 kHz 至 1 MHz
- 500 Vrms, one minute isolation (hipot) winding to winding.
500 Vrms, 一分钟绝缘 (高压) 绕组到绕组
- Different turns ratios.
不同的匝比提供选择。

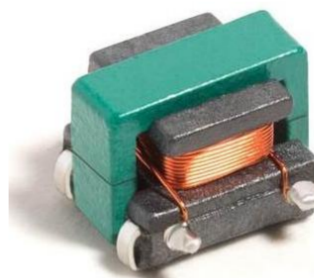
Terminating resistor value is based on 1 Volt output with 7 Amps flowing through the primary. Varying terminating resistance increases or decreases output Voltage/Ampere according to the following equation:

$$RT \text{ (Ohms)} = V_{out} \times N_{sec} / I_{in}$$

端接电阻器的值基于 1 伏输出, 其中 7 安培流经原边。可变的终端电阻根据以下公式增加或减少输出电压/安培:

$$RT \text{ (欧姆)} = V_{out} \times N_{sec} / I_{in}$$

- RoHS compatible.
符合环保要求。
- Operating temperature : -40°C~+125°C.
工作温度: -40°C~+125°C



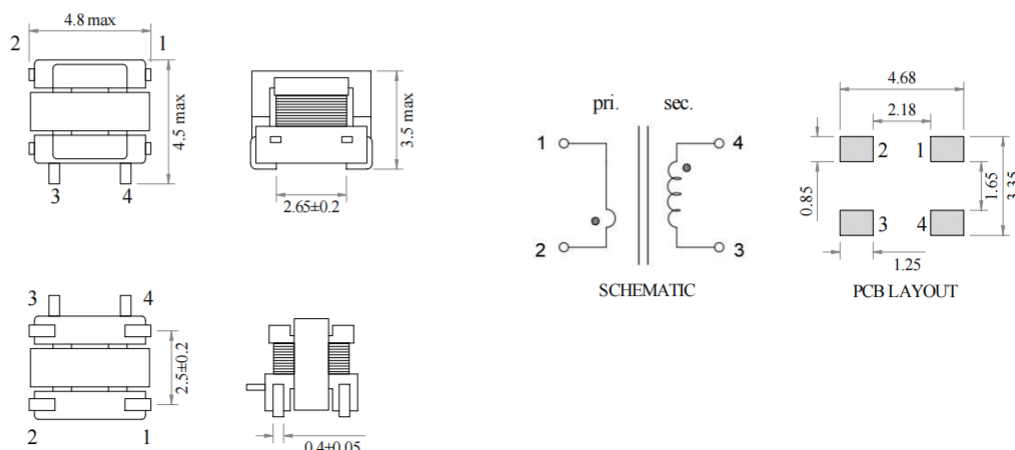
Applications

- Switching power supplies. Feedback control. Overload sensing. Load drop/shut down detection
适用于开关电源、反馈控制器、过载传感、负载降低/关闭检测等

Electrical characteristics

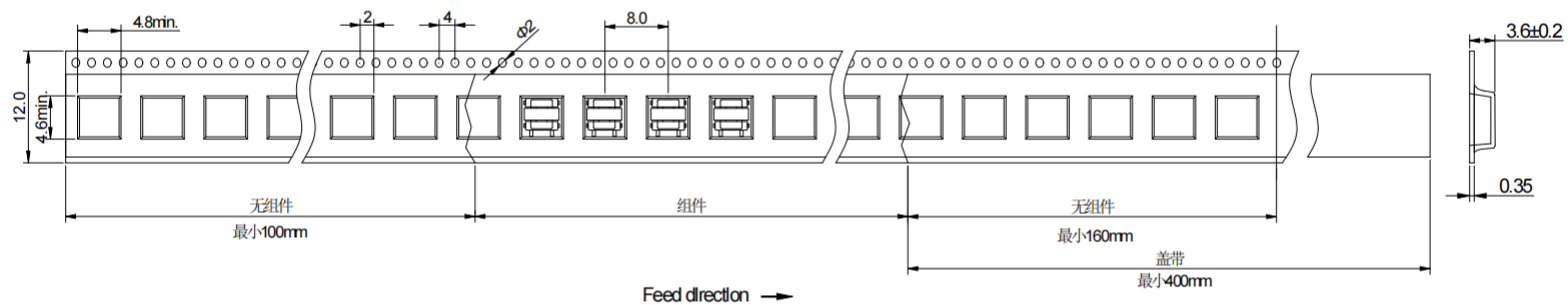
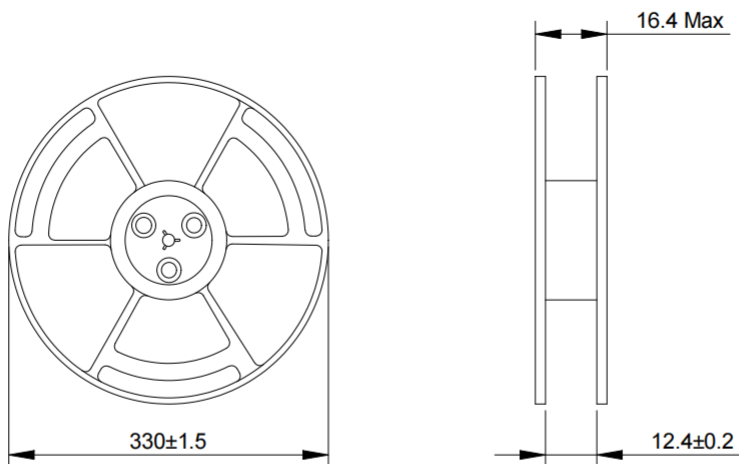
Part number 料号	Turn ratio 匝比 Pri:sec	Sec inductance 次级电感量 Min (μH)	DC Resistance 直流电阻 Max		Voltage-time product 电压时间乘积 V.μS	Primary Rated Current 初级额定电流 A max	marking color code 标识颜色
			Pri(Ω)	Sec(Ω)			
CT042-020	1:20	33	0.003	0.35	6.0	7	brown
CT042-030	1:30	74	0.003	0.90	9.0	7	red
CT042-040	1:40	132	0.003	1.60	12.0	7	orange
CT042-050	1:50	205	0.003	2.50	15.0	7	yellow
CT042-060	1:60	295	0.003	3.60	18.0	7	green
CT042-070	1:70	400	0.003	4.60	21.0	7	blue
CT042-100	1:100	820	0.003	9.50	30.0	7	violet
CT042-125	1:125	1280	0.003	13.00	37.5	7	golden
CT042-150	1:150	1800	0.003	21.00	45.0	7	white

Dimensions



■ Packaging Specification - Tape and Reel: [mm]

包装规格 - 卷带包装: [mm]



Weight 重量: 0.0114g/PCS

Packaging 包装数量: 2500 PCS/Reel