

■ PR16XX Series

Features 特点

- Susing flat wire, and SMD type. 采用扁平线，贴片类型
- Low radiation noise by magnetically shielded construction
闭合磁路封装，低辐射
- High current, Low resistance. 大电流，低电阻
- Operating temperature : -40°C~+125°C. 工作温度: -40°C~+125°C
- Tape and reel packaging: -40°C to +80°C 卷带包装: -40°C 至 +80°C
- Resistance to soldering heat Max three 40 second reflows at +260°C, parts cooled to room temperature between cycles
耐焊接热 最多三个 40 秒回流 +260°C, 部件在循环之间冷却至室温
- Moisture Sensitivity Level (MSL) 1 (unlimited floor life at <30°C / 85% relative humidity)

湿气敏感度等级 (MSL) 1 (在 <30°C 时的无限车间寿命 / 85% 相对湿度)



Applications

- high efficiency DC/DC converters. 高效 DC/DC 转换器
- Single and polyphase buck converters. 单相、多相降压转换器
- Filter for audio applications. 音频滤波应用
- Optimized for high current boost applications. 大电流升压应用优化

Electrical characteristics

Part number 料号	Inductance ^① 电感量 μH ±10%	DCR (mΩ) ^② 直流电阻		SRF ^③ 自谐频率 (MHz)		Isat ^④ 直流饱和电流 A typical			I _{rms} ^⑤ 温升电流 A typical	
		typ	max	reference	drop10%	drop20%	drop30%	rise20°C	rise40°C	
PR1607-102KL	1.0	1.00	1.10	52	39.7	40.4	40.7	25.2	36.0	
PR1608-152KL	1.5	1.40	1.54	48	38.9	40.5	40.8	21.2	30.0	
PR1609-222KL	2.2	1.80	1.98	41	34.9	37.3	38.8	20.1	26.8	
PR1610-332KL	3.3	2.20	2.42	38	28.7	30.9	31.4	16.8	25.0	
PR1610-472KL	4.7	2.20	2.42	32	20.1	21.5	22.8	16.8	25.0	
PR1608-682KL	6.8	6.20	6.82	27	16.9	18.7	19.5	10.7	14.4	
PR1608-103KL	10	7.20	7.92	22	13.1	14.6	15.4	9.4	13.0	
PR1609-153KL	15	10.20	11.22	18	12.7	14	14.6	8.1	11.7	
PR1610-203KL	20	12.10	13.3	14	11.3	12.4	12.9	7.3	10.0	
PR1611-303KL	30	15.40	16.94	12	9.7	10.3	10.7	6.1	8.5	

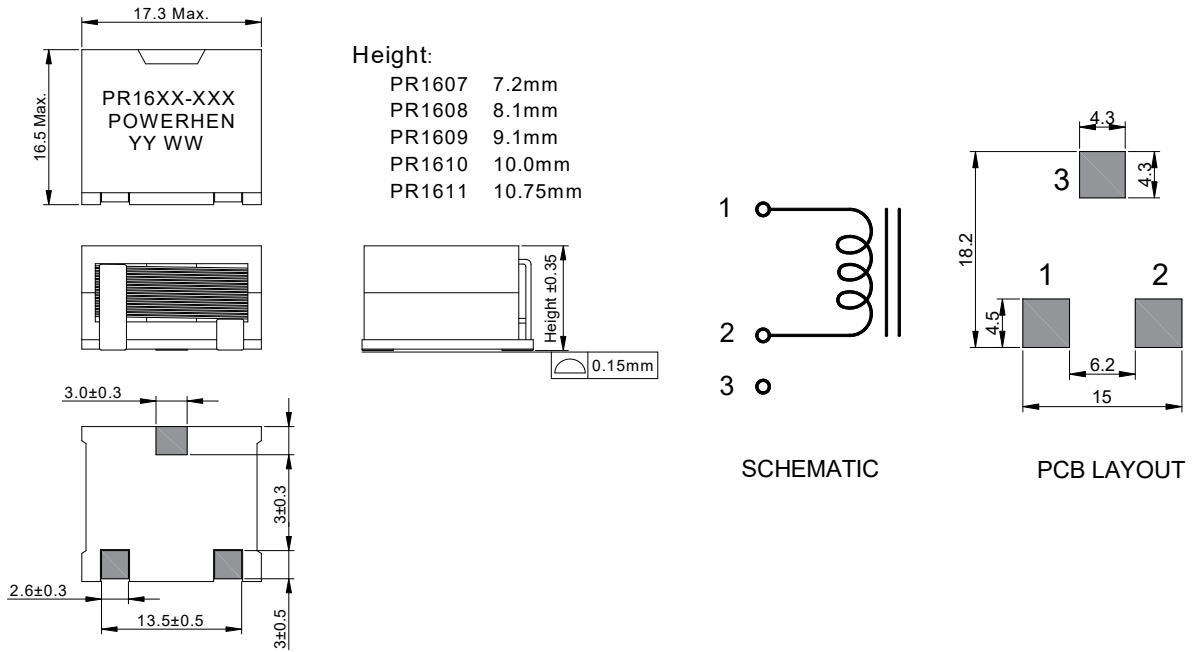
Remark

- ① Inductance is measured with a LCR meter Agilent 4284A or equivalent.
Test frequency at 100kHz
- ② DC resistance is measured with Keithley 580 Milliohm Meter, or equivalent.
Reference ambient temperature 25°C
- ③ SRF measured using an Agilent 4395A network analyzer and an Agilent 16093A test fixture.
- ④ DC current at 25°C that causes the specified inductance drop from its value without current.
- ⑤ Current that causes the specified temperature rise from 25°C ambient. This information is for reference only and does not represent absolute maximum ratings.
- ⑥ Electrical specifications at 25°C

备注

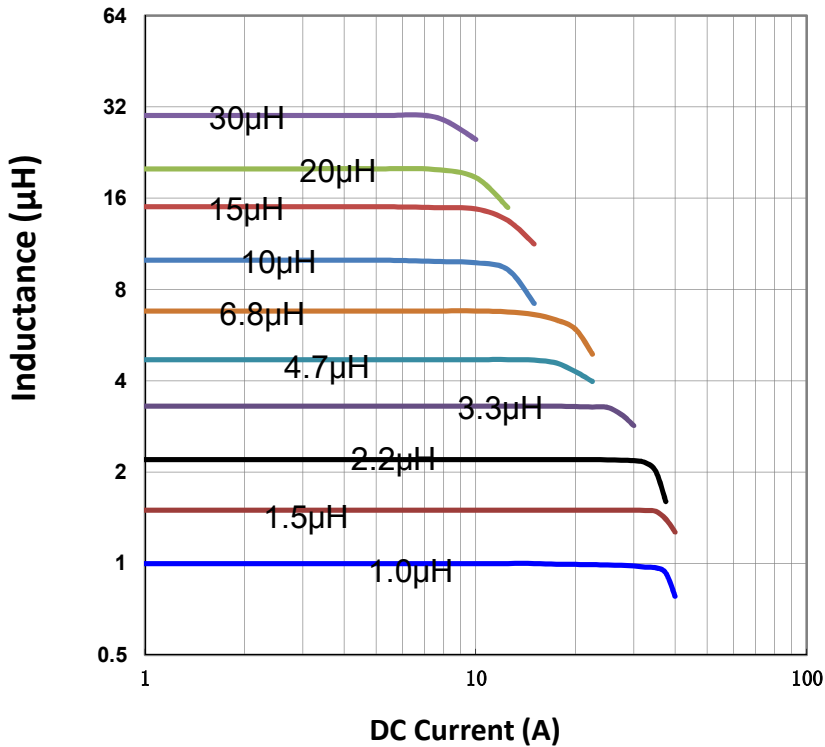
- ① 电感量测试采用 Agilent 4284A 数字电桥或同等仪器;
测试频率 100KHz
- ② 直流电阻测试采用 Keithley 580 毫欧表或同等仪器;
环境温度 25°C
- ③ SRF 使用 Agilent 4395A 网络分析仪和 Agilent 16093A 测试夹具测量。
- ④ 直流电流在 25°C, 加载导致指定电感从没有电流的值下降。
- ⑤ 导致指定温度从 25°C 环境温度上升的电流。此信息仅供参考, 不代表绝对最大额定值。
- ⑥ 25°C 时的电气规格

Dimension 结构尺寸



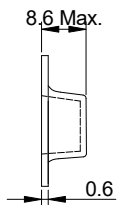
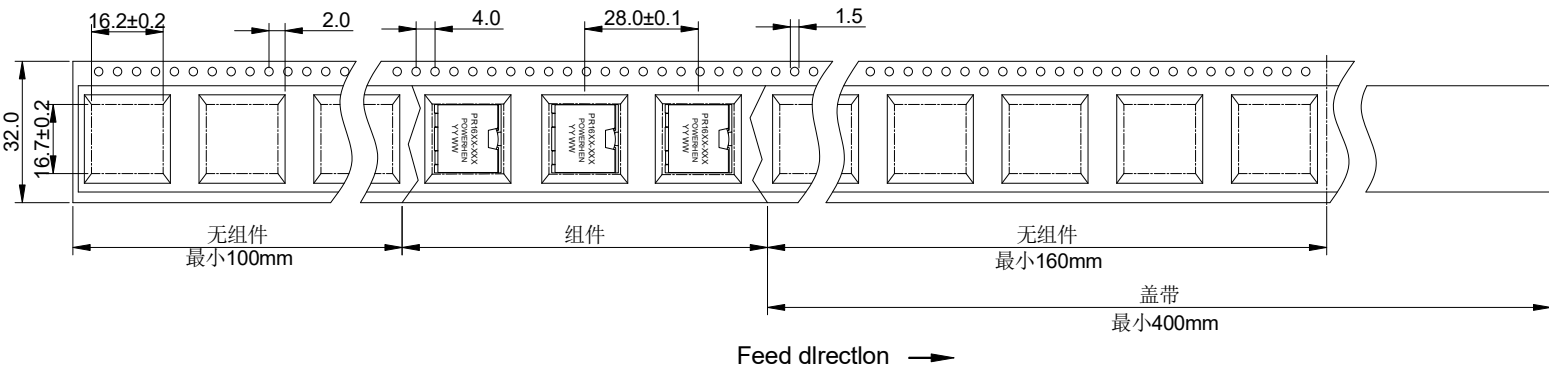
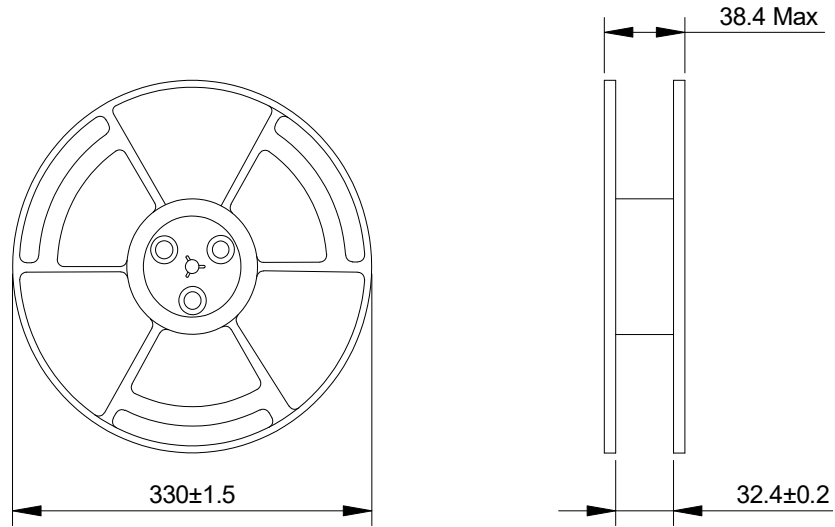
■ PR16XX

Electrical Characteristic Curve 电气特性曲线



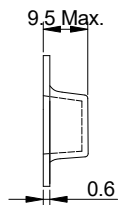
■ Packaging Specification - Tape and Reel: [mm]

包装规格 - 卷带包装: [mm]



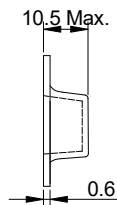
PR1607 Series.

Weight 重量: 8.22g/PCS
Packaging 包装数量: 300 PCS/Reel



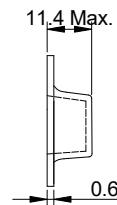
PR1608 Series.

Weight 重量: 8.62g/PCS
Packaging 包装数量: 280 PCS/Reel



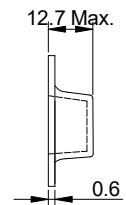
PR1609 Series.

Weight 重量: 9.15g/PCS
Packaging 包装数量: 250 PCS/Reel



PR1610 Series.

Weight 重量: 9.82g/PCS
Packaging 包装数量: 210 PCS/Reel



PR1611 Series.

Weight 重量: 10.37g/PCS
Packaging 包装数量: 170 PCS/Reel